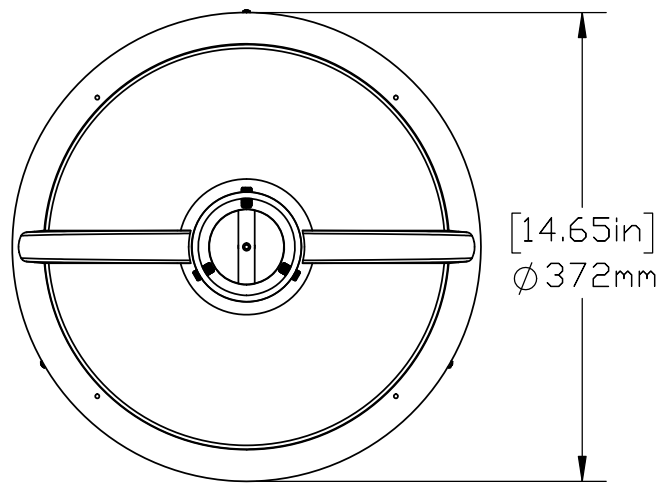
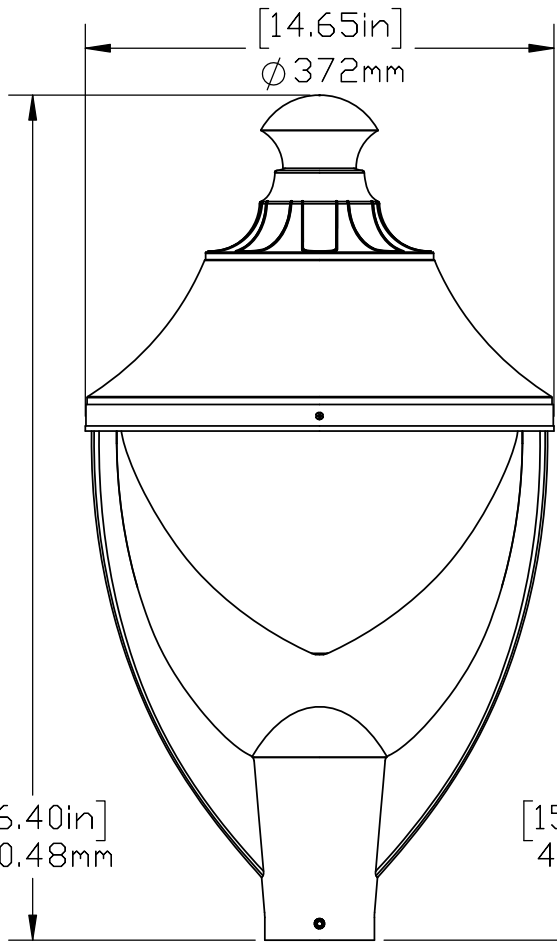


\*\*\*  
 FIXTURE SUITABLE FOR WET LOCATIONS, OUTDOOR USE.  
 FIXTURE ADAPTÉ AUX ENDROITS HUMIDES, UTILISATION À L'EXTÉRIEUR.  
 FIXTURE CANNOT BE IMMERSED IN ANY LIQUID.  
 L'APPAREIL NE PEUT ÊTRE IMMERGÉ DANS AUCUN LIQUIDE.  
 \*\*\*

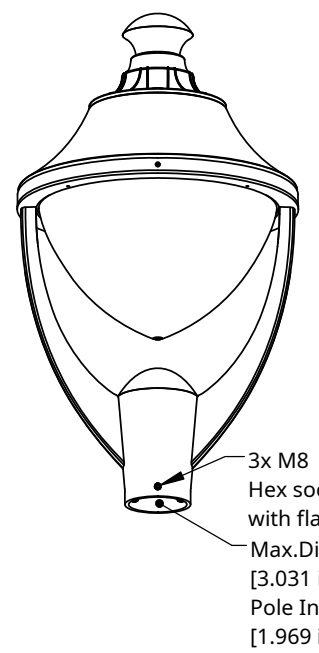
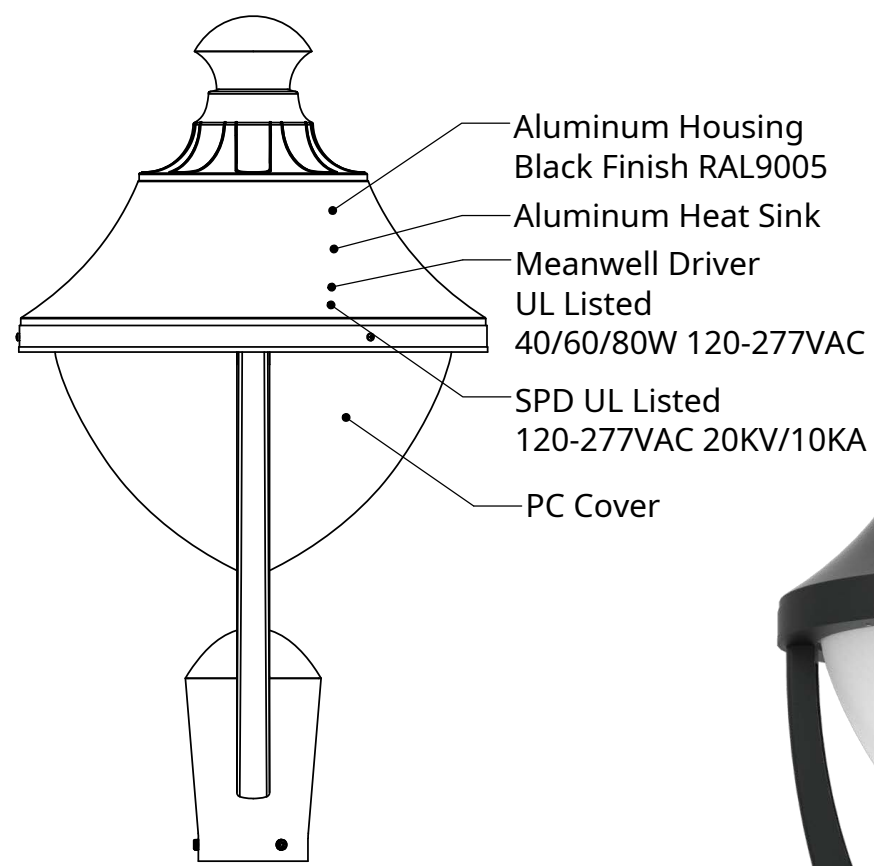


[14.65in]  
 Ø372mm

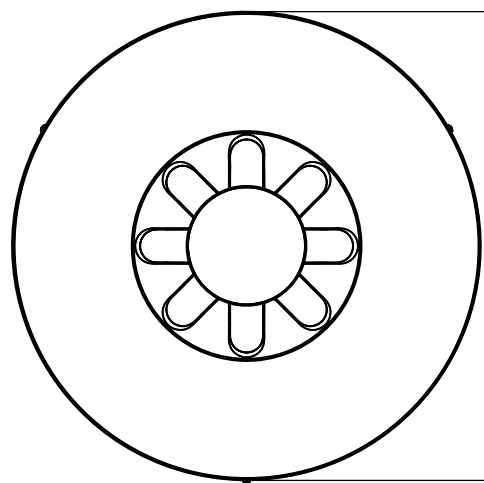
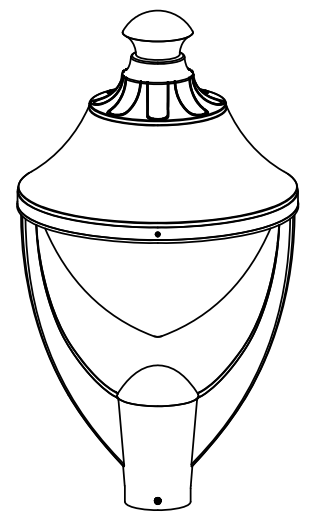


[26.40in]  
 670.48mm

[15.91in]  
 404mm



3x M8  
 Hex socket set screws  
 with flat point  
 Max. Diameter Pole O.D.  
 [3.031 in] I.D. Ø77mm  
 Pole Install Into Depth  
 [1.969 in] 50mm



[14.65in]  
 Ø372mm



### DUKE LIGHT CO., LTD.

METRIC		Dukelight.com/720 Email: info@dukelight.com NOTICE OF PROPRIETARY PROPERTY: THE INFORMATION CONTAINED HEREIN IS THE PROPRIETARY PROPERTY OF DUKE LIGHT CO., LTD.	
DRAFTER <b>DUKE</b>	DATE <b>6/JUN/22</b>	©2013-2021 DUKE LIGHT CO., LTD. ALL RIGHTS RESERVED. THE DUKE LOGO, ARE TRADEMARKS OF DUKE LIGHT CO., LTD. REGISTERED IN THE CHINA AND OTHER COUNTRIES.	
DESIGNER <b>DUKE</b>	DATE <b>6/JUN/22</b>	TITLE <b>LED Post Top Light Fixture          LED-PT-720 Series</b>	
DIMENSIONS ARE MILLIMETERS TOLERANCES * IMPORTANT x ±0.3 x.x ±0.20 x.xx ±0.10 x.xxx ±0.050 ANGLES ±0.25°		DRAWING NUMBER	REV. <b>A</b>
DO NOT SCALE DRAWINGS		SCALE <b>NONE</b>	SHT <b>1</b> OF <b>1</b>
THIRD ANGLE PROJECTION		SIZE <b>D</b>	SCALE